



# I-9104

## Intelligent Ultraviolet Flame Detector

I-9104 Intelligent Ultraviolet Flame Detector detects fire by analyzing ultraviolet radiation of flame. It's applicable to places where open fire, fire with intense flame radiation and fire without smoldering stage take place easily, as well as places where quick response to a fire is required. Used together with other detectors, it can alarm fire in time to minimize losses as much as possible.

### Features

- The built-in microprocessor can conduct the signals and communicate with fire alarm control panel (FACP)
- With algorithm, report alarm quickly and reduce false alarm
- Three sensitivity levels
- High sensitivity, reliable performance, dust-proof, damp-proof and corrosion-proof

### Wiring

Fig.1 shows the detector bottom and Fig. 2 is the base.

There are 4 terminals with marks on the base. Connect the loop output of FACP to any 2 opposite terminals (non-polarized, better 1&3), the other two are used to fix the detector accessorialy.

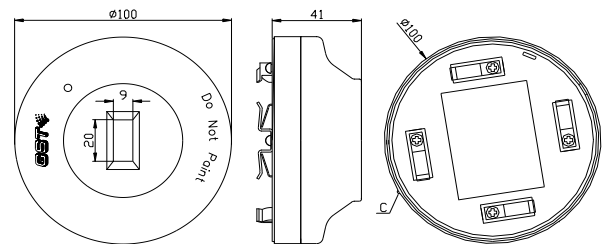


Fig.1

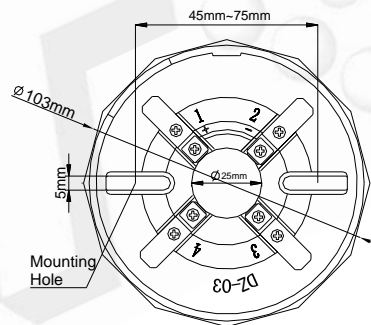
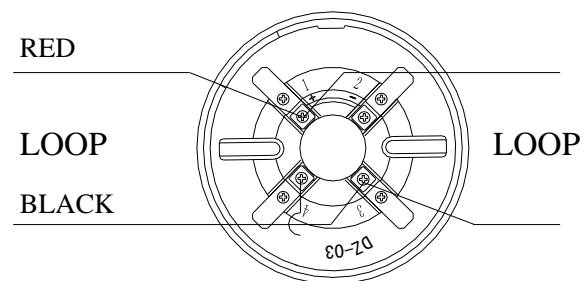


Fig.2

The wiring diagram shows in Fig.3



I-9104

Fig.3

This document is subject to change without notice. Please contact GST for more information or questions.

**Gulf Security Technology Co., Ltd.**

No. 80, Changjiang East Road, QETDZ, Qinhuangdao, Hebei, P. R. China 066004

www.gst.com.cn www.utcfireandsecurity.com service.gst@fs.utc.com

## Recommended Cabling

1.0mm<sup>2</sup> or above fire cable for detector loop, subject to local codes.

## Application

The detector is directly connected to GST FACP. The FACP polls the detector and displays fault and fire information. There are three sensitivity levels for the detector. Level one is set by default.

The detector can be programmed by a programmer on site, as shown in Fig.4. The programmer can read and change the address and sensitivity level. Refer to P-9910B Hand Held Programmer Installation and Operation Manual for further details.

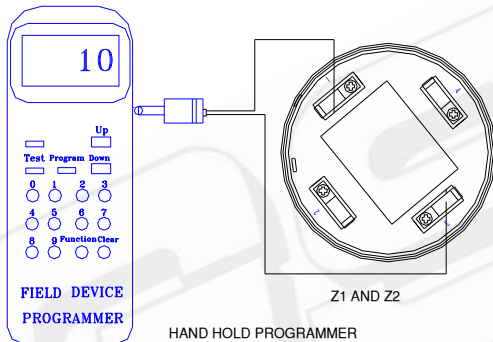



Fig.4

## Specification

Operating Voltage	Loop: 24V(12V~28V)
Standby Current	≤2mA
Action Current	≤2.5mA
Alarm Clear	Instantaneous power off (5s MAS, 2.5VDC MAX)
Power-up Time	≤5s
Indicator	Red. Flashes in polling. Illuminates steadily in alarm.
Wiring	2 core for loop
Programming Method	Electronically addressed.
Code Range	One address within 1~242
Spectral Response Range	185nm~260nm
Angular Sensitivity	
Detection Distance	Level I: 25m Level II: 17m Level III: 12m
Operating Temperature	-20℃~+55℃
Relative Humidity	≤95%, non condensing
Dimension	Diameter: 103mm Height: 53.5mm (with base) Diameter: 100mm Height: 41mm (without base)
Ingress Protection Rating	IP21
Material and Color of Enclosure	ABS, white
Weight	About 110g
Mounting Hole Distance	45mm~75mm

## Accessories and Tools

Model	Name	Remark
P-9910B	Hand Held Programmer	Order separately
DZ-03	Detector Base	Order separately

Please contact with GST sales for compatible devices.

This document is subject to change without notice. Please contact GST for more information or questions.

**Gulf Security Technology Co., Ltd.**

No. 80, Changjiang East Road, QETDZ, Qinhuangdao, Hebei, P. R. China 066004

www.gst.com.cn www.utcfireandsecurity.com service.gst@fs.utc.com