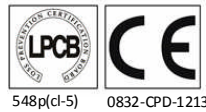




Intelligent Single & 2 Loop Fire Alarm Control Panel

GST200-2



Description

The GST 200-2 single loop and two loop addressable fire detection control panel with upto 242 devices per loop, the system is packed with features that are not usually associated with smaller and medium systems. The GST 200-2 provides a high quality solution at exceptional value.

By utilizing advanced GST Protocol, the system is compatible with the complete range of GST intelligent Detectors, Sounders, Call Points, Interfaces, including gas extinguishing controls. Networkable with all GST intelligent fire control panels the system can be expanded up to a maximum of 240 GST panels (over 48,000 devices)

The GST 200-2 is manufactured and certified to EN54 parts 2 and 4 and to BS5839 Part 4.

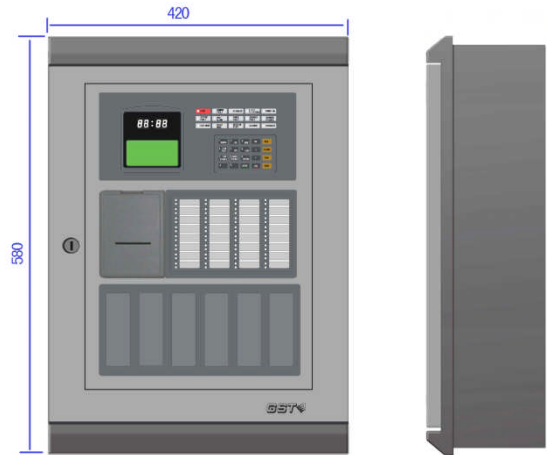
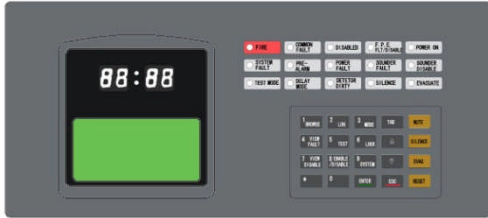
By utilizing the GSTDef2.1 programming facilities enables advanced and complex cause and effects to be programmed with ease, including phased and cascade evacuation scenarios. The GST zonal indication and control facility allows the operator to manually intervene, with evacuation and control of each zone, including control of all plant equipment under an alarm condition.

Maintenance report of dirty detector, pre-alarm signal and are built in as standard, making the system ideal for many applications such as banks, shops, telecommunication centers and GSM exchanges, industrial and commercial facilities.

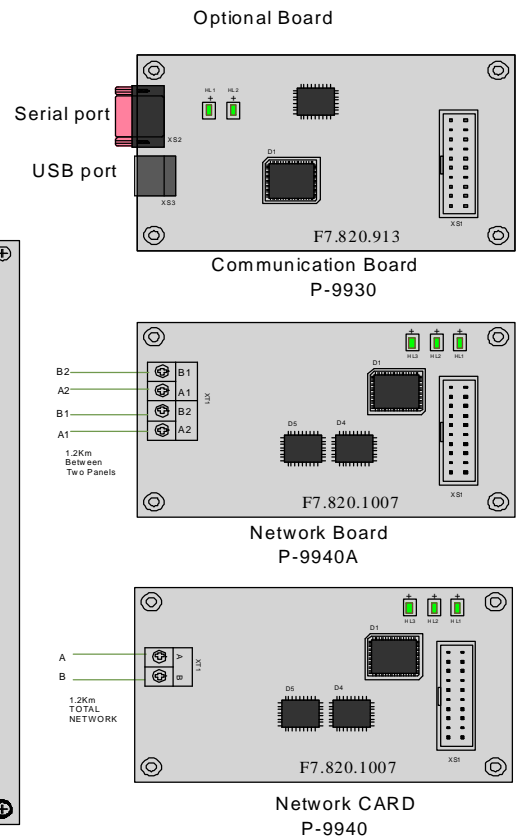
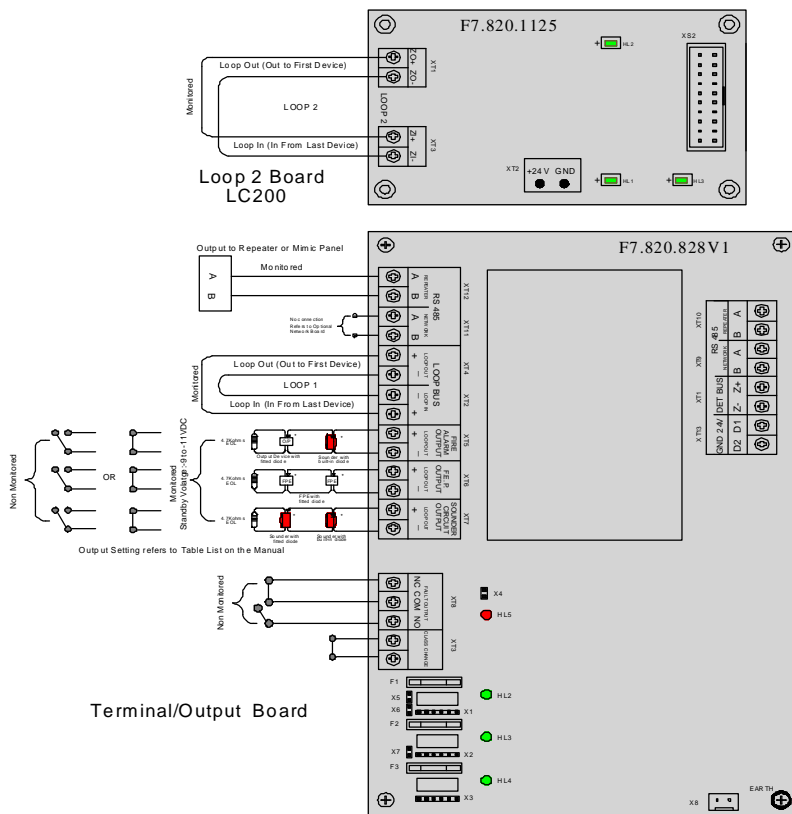
Features and Benefits

- Listed to LPCB standard
- 2 Loop capacity-477 Addressable Point
- 8x18 Graphical LCD Display
- 30 Zone indication including manual intervention and control
- 3 programmable alarm output
- Positive Alarm Signal (PAS) Pre-alarm
- Maintenance report of dirty detector
- Networkable with all GST Intelligent Fire Alarm panels
- Programmable form PC by GSTDef2.1
- History log 999-events capacity in non-volatile memory
- Test Facility-Silent Mode
- Device Start/Stop Mode
- Device Enable/Disable
- RS485 Repeater Output (Max. 10)
- Advanced user friendly programming software including 'Fuzzy Logic'
- Optional RS 232 Colour Graphics Software, Printer and Pager Interface
- Optional RS485 Network Card
- Optional Panel Printer

Fascia and Dimensions



Board Diagram



Technical Specifications

- **Standard**
 - **Approvals**
 - **Main Input Voltage**
 - **Input Current Rating**
 - **Operating Temperature**
 - **Protection**
 - **Application**
 - **Programming**
 - **Zone Capacity**
 - **Loop Parameter**
 - Loop Capacity
 - Loop Topology
 - Loop Voltage
 - Loop Current
 - Loop Length/Cable
 - **Output Circuits**
 - **Fuses**
 - **Standby Batteries**
 - **RS485 Port**
 - **CANBUS**
 - **RS232 Port (Serial/USB)**
 - **Panel Printer**
 - **Dimension (HLW)**
- EN54 Part 2/4 ; BS5839 Part 4
 LPCB, CPD
 220/230 ± 10% VAC 50/60 Hz
 0.500A, Fuse: 2A delay
 0°C- 40°C /95% relative humidity
 IP 30
 Indoor installation
 Laptop using GST Defining Software/P-9930
 30 Zones programmable
 1 loop expandable to 2 with LC200 card
 477; Loop 1:235; loop 2:242(Address)
 Class A or B
 24 VDC Nominal (21-27 VDC)
 0-300mA
 1.00mm²-800m-Full Load
 1.5mm²-1000 m-Full Load
- Fire Alarm Output:** Monitored (4.7Kohm)
 Voltage: Standby: -9to-11VDC; Alarm: 21 to 27Vdc
 Current: 500mA
 Relay Contact: NO/NC Jumper Setting; rating: 24V/1A
- F.P.E. Output:** Monitored (4.7Kohm)
 Voltage: Standby: -9to-11VDC; Alarm: 21 to 27Vdc
 Current: 500mA
 Relay Contact: NO/NC Jumper Setting; rating: 24V/1A
- Sounder Circuit Output:** Monitored (4.7Kohm)
 Voltage: Standby: -9to-11VDC; Alarm: 21 to 27Vdc
 Current: 500mA
 Relay Contact: NO/NC Jumper Setting; rating: 24V/1A
 (Output circuit cable length: 1.00mm²- 1000m)
- Fault Output:** Non-monitored
 Relay Contact: NO/COM/NC; rating: 24V/1A
- Mains 2A** (20mm A/S ceramic)
 Sounders (2): 1A (20mm A/S)
 Fire alarm Output 0.5A (20mm A/S)
 Battery: 2A (20mm A/S HRC ceramic)
- Twin 12 VDC Bat;** 21AH as per load calculated
 Maximum Charge Current: 1.2
 Maximum Charge Voltage: 27.6
 Type: Sealed lead acid batteries
 Recommended model: Power-Sonic PG12V21
 Maximum Internal Resistance: 1Ω
 Quiescent Current under Full-loaded Condition: 0.75A
 Maximum Battery Operating Current: 2.82A
- Repeater Output:** Up to 10 Repeater or Mimic panel
 Cable length: 1.5mm²- 1000m
 Optional Network card (P-9940A): Normal 32 panels (GST200/2); 64 with IFP8
 Cable Length: 1.5mm²- 1200m between panels
 Topology: Class A
- Optional CANBUS Communication card (P-9960)**
 Network Capacity 240 panels (CANBUS HUB Required)
 Cable Length: 3Km
 Topology: STAR Connection
- Optional Communication card (P-9930)**
 Cable Length: 15m (cable/flat ribbon Supplied)
- Optional Printer (P-9901A)**
 Type: Thermal/ASCII Code/96 Characters
 (Flat ribbon cable supplied) Voltage: 5Vdc
 Outer: 580 x 420 x 30 mm
 Inner: 550 x 393 x 173 mm

Selection of GST200-2 compatible Panels & Devices

- ✓ GST-IFP8 8Loops Intelligent Fire Alarm Controller
- ✓ GST5000 Series Intelligent Fire Alarm Controller
- ✓ GST200 Fire Alarm Panel
- ✓ GSTGMC Graphic Monitor Software
- ✓ GST-NRP01 Network Repeater Panel
- ✓ GST852RP LCD Passive Repeater Panel
- ✓ GST8903 Mimic Panel
- ✓ DI-910N Digital Intelligent Detector Series
- ✓ I-910N Intelligent Analogue Detector Series
- ✓ DI-9204 Addressable Manual Call Point Series
- ✓ I-930X addressable Series interfaces (Complete range for all requirements)
- ✓ I-940X Addressable Series Sounders and strobes
- ✓ I-950X Line Isolator Series
- ✓ I-960X Intelligent Series Combustible gas detectors

Ordering Information



Part Number: GST200-2/1
Description: Intelligent Single Loop Fire Alarm Panel
Pack Qty. per Box: 1



Part Number: GST200-2/2
Description: Intelligent Two Loop Fire Alarm Panel
Pack Qty. per Box: 1

Accessories



Part Number: P-9901A
Description: Panel Printer
Pack Qty. per Box: 1



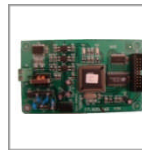
Part Number: P-9930
Description: Compatible with USB and Serial Port. RS232 Communication Board for system Commissioning and GMC Connection
Pack Qty. per Box: 1



Part Number: P-9930-TCP / IP
Description: TCP/IP – RS232 Communication Board for Communication to NPORT
Pack Qty. per Box: 1



Part Number: P-9930-MB
Description: MODBUS Protocol RS232 Communication Board
Pack Qty. per Box: 1



Part Number: P-9940
Description: RS 485 Network Board, Serial Connection (Class B) 1.2Km range
Pack Qty. per Box: 1



Part Number: P-9940A
Description: RS 485 Network Board, Serial Connection (Class A) 1.2Km between panels
Pack Qty. per Box: 1

MANUFACTURED IN ACCORDANCE WITH

