

RE-2554 / 58

Fire Alarm Panel



Product Overview

The RE-2554/8 is a 4/8 zone UL Listed Conventional Fire Alarm control Panel. These control panels are designed to be used in small & medium commercial industries, buildings, hotels, schools, etc. and are compatible with conventional detectors, manual call points and normally open dry contact devices.

Special Features:

- Switched Mode Power Supply (95-245)V
- Modular Construction
- Auto Resettable Fuse
- Surge Protection
- Programmable AC loss delay/Trouble Remainder/Alarm Verification
- Battery polarity reversible protection
- Surface Mount Technology
- Over All current consumption is low.



Features:

- Fully complies with UL -864 and NFPA-72.
- Rugged CRCA sheet with powder coated finish.
- Operates on 110 - 220v 50 /60 Hz, AC Mains power supply.
- 16x2 Dot Matrix LCD Display.
- 4/8 Class B Style 'B' or Style 'C' initiating device circuit (IDC).
 - All zones accept smoke detectors and any normally open contact device.
 - Any Zone can be configured as Alarm or supervisory Zone.
- 2 Class B Notification Appliance Circuits (NAC).
- NAC shall be programmed as silenceable or Non Silenceable.
- Supervisory Zone shall be Latching or Resettable.
- Standby (battery) backup 24v DC power supply with built in charger
- Error free Fire / Fault status in unambiguous colored LED indication.
- System ON indication.
- Main, Standby status audible and visual indication.
- Battery Low visual warning with audible tone.
- FormC relays for fire, fault and supervisory.
- Resettable / Steady 24V D.C. Output.
- RS 485 Communication facility (Optional).
- Lamp Test facility.
- All field wiring circuits are Power limited except 110 - 220v AC and Battery.
- All field wiring circuits are supervised.
- Walk Test facility.
- Zone Isolation facility with loop voltage cut off.
- Earth fault annunciation facility at 0 ohms.
- AC Low voltage cutoff.
- Programmable AC loss delay.
- Programmable Alarm verification.
- Programmable Trouble reminder.



Electrical Specification:

Primary Power (RE-SMPS-4A-R1)

110 - 220VAC \pm 10%, 50 Hz, 2.5Amps.

Standby Power

24V D.C (2 Nos of 12v, 12Ah Sealed Lead acid battery).

Operating Condition

Operating Temperature 0 - 49° C/32-120° F.

Relative Humidity 93 \pm 2% RH (non-condensing) at 32 \pm 2° C/90 \pm 3° F.

Charging Circuit

Charging Voltage 28.2V, \pm 0.5V
Charging Current 800mA (Max.).

D.C. Output

Supervised 24VDC regulated, 300mA Max.

Common Relays

Type : Form C
No of Relays : 3
Relay Contact Rating : 2Amps @ 30 VDC,
2Amps @ 30VAC.
Power Factor : 0.6

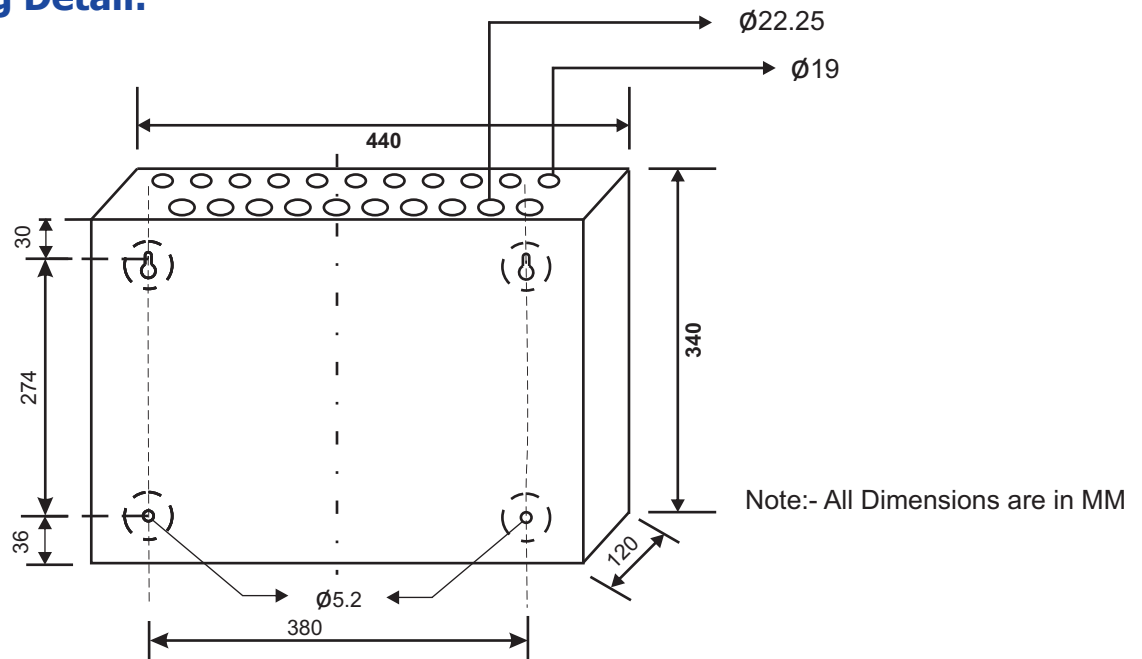
Initiating Device Circuits

All zones are Class B Style B/C operation (Programmable).
Normal Operating Voltage: 14 - 21 VDC.
Alarm Current: 15 - 30mA.
Short Circuit Current: 45mA Maximum.
Loop resistance: 100 ohms Maximum.
End-Of-Line Resistor: 3K9, 1/2watt
Standby Current: 7mA (2mA for Detectors)

Notification Appliance Circuits

Class B Style - Y wiring
Operating Nominal Voltage: 24VDC Special Application
Current for all NACs: 1.2Amps (0.6A per circuit)
Line Drop: 1.8V
End-Of-Line Resistor: 3K9, 1/2watt

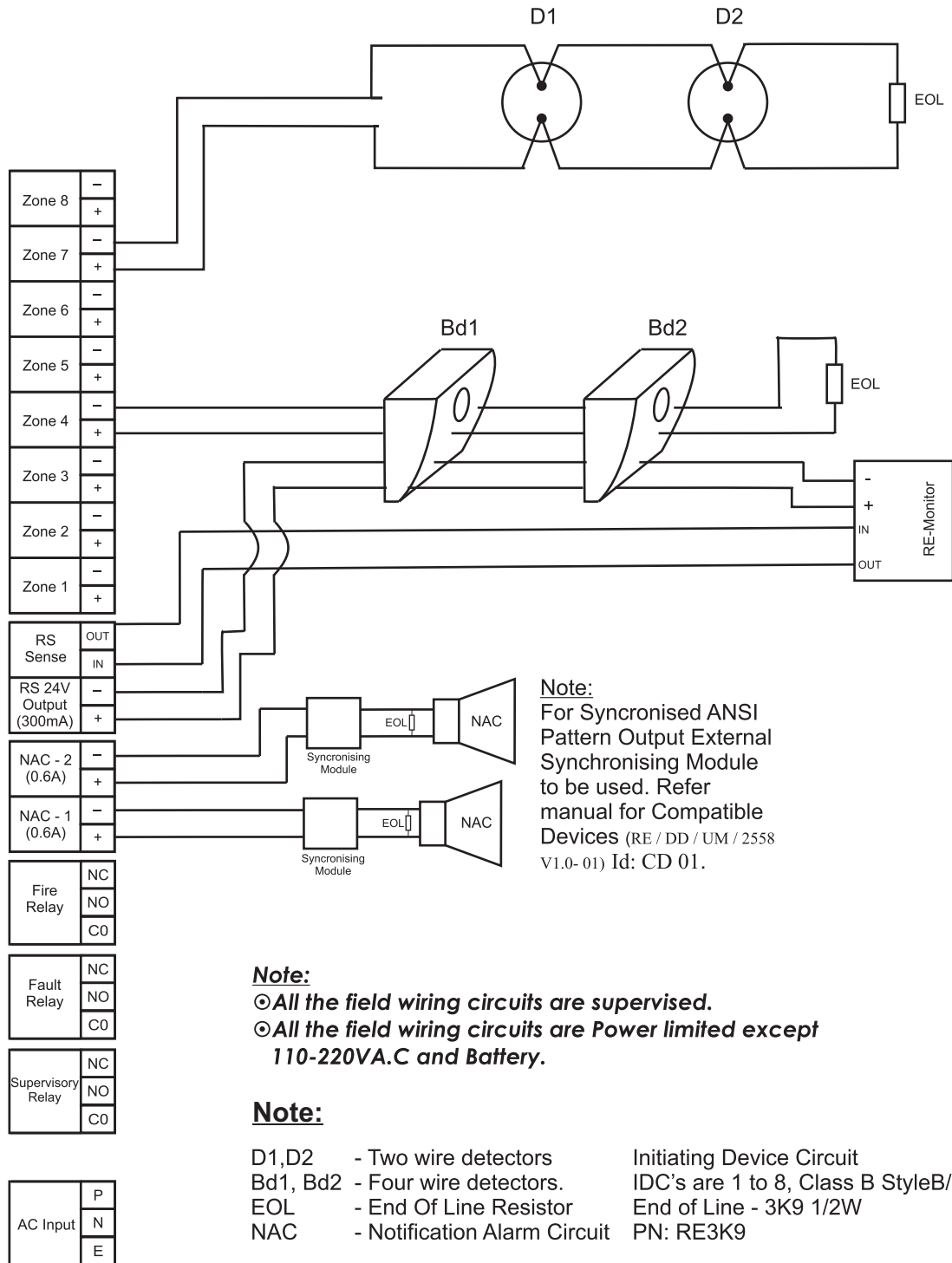
Mounting Detail:



Mechanical Specification:

Dimensions : (440W X 340H X 120D)
Color : Red / White
Construction : 18 Gauge (1.22mm) CRCA sheet with powder-coated Finish
IP Rating : IP50
Cable Entry : 11x ϕ 19mm Knockout in top of the cabinet
10x ϕ 22.25mm Knockout in top of the cabinet

Wiring Diagram:



Ordering Information:

MODELS	ZONES
RE- 2554-W/R	4 Zones
RE-2558-W/R	8 Zones

NOTE:

W-White color

R-Red color

Compatible Devices:

MODELS	DESCRIPTION
RE-316S-2L	Photoelectric Smoke detector with base.
RE-316H-2L	Heat detector with base.
RE-316SH-2L	Photoelectric & Heat detector with base
RE-314	Common base for above
RE-716MR	MCP Red
RE-716MG	MCP Green
RE-716MY	MCP Yellow
RE-24CS	Mini Horn
RE-24SS	Sounder cum Strobe
RE-Monitor	24VDC Output for Monitor Module
RE-3K9	End Of Line Resistor

India:

RAVEL ELECTRONICS PVT LTD.,

(An ISO 9001 Company)

150A, Electronics Industrial Estate, Perungudi, Chennai - 96 .India.

E-Mail: marketing@ravelfire.com; Web : www.ravelfire.com

United Kingdom:

RAVEL ELECTRONICS LTD.,

Unit 11, Chancel Industrial Estate, Newhall street,
Willenhall WV13 1NX, West Midlands, United Kingdom.

E-mail: info@ravelfire.co.uk ;Web: www.ravelfire.co.uk